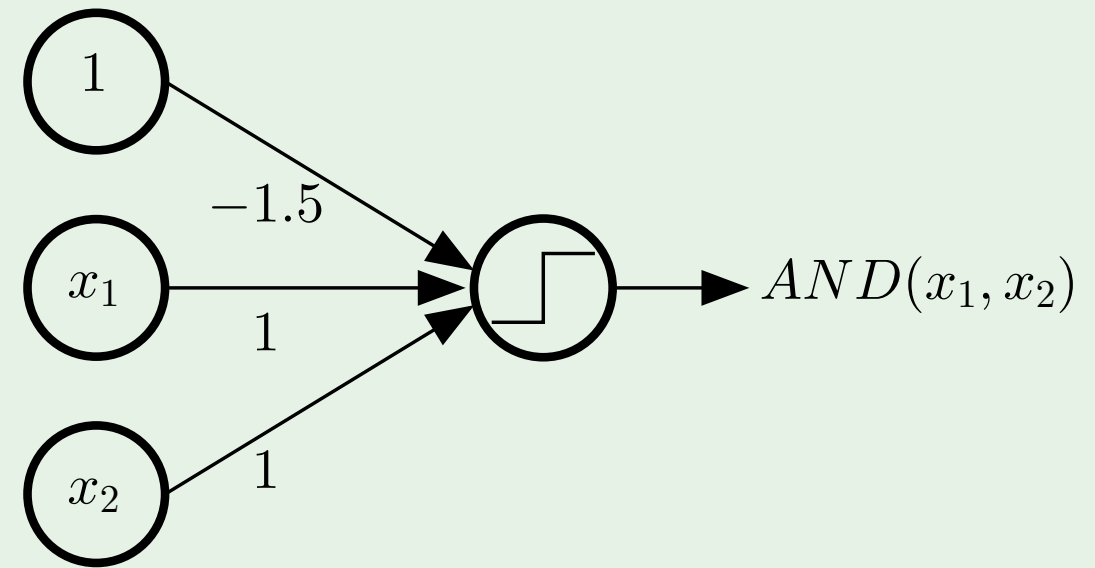
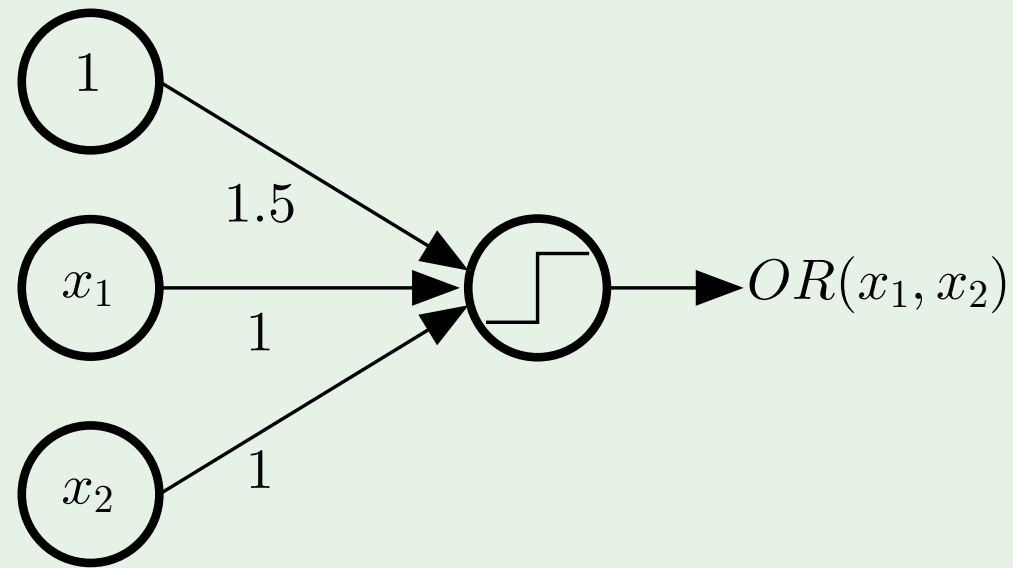
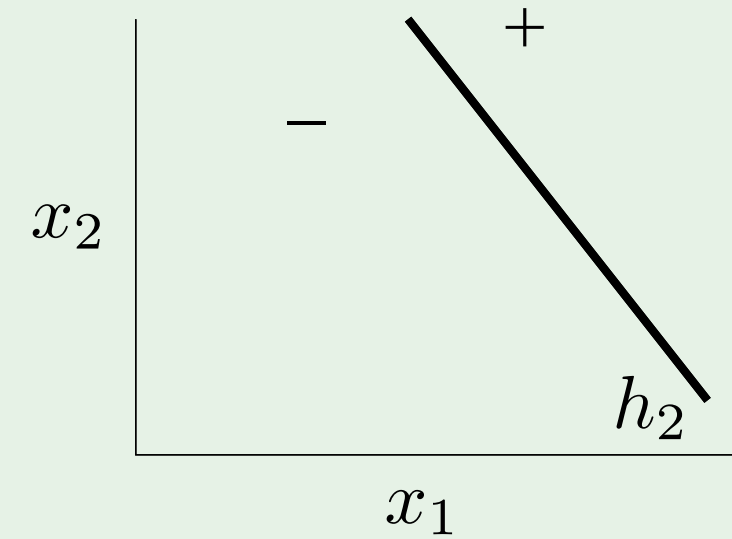
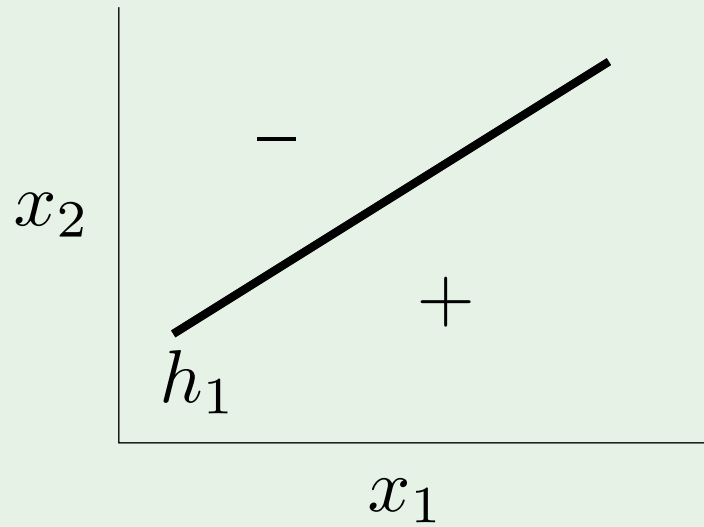
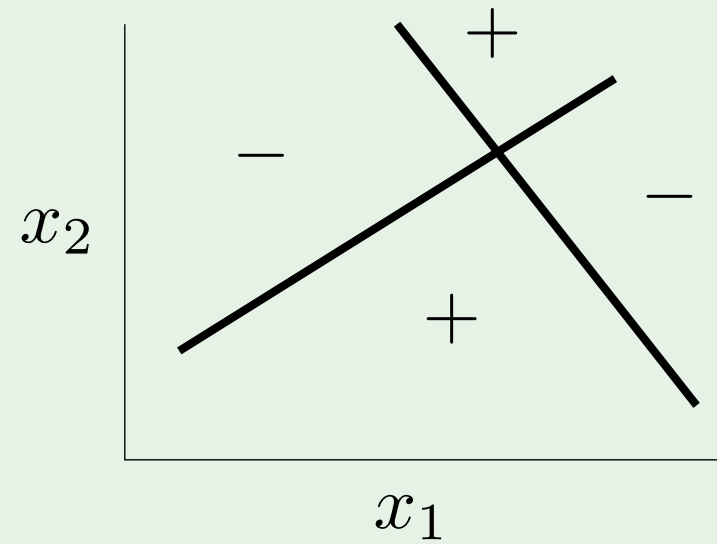
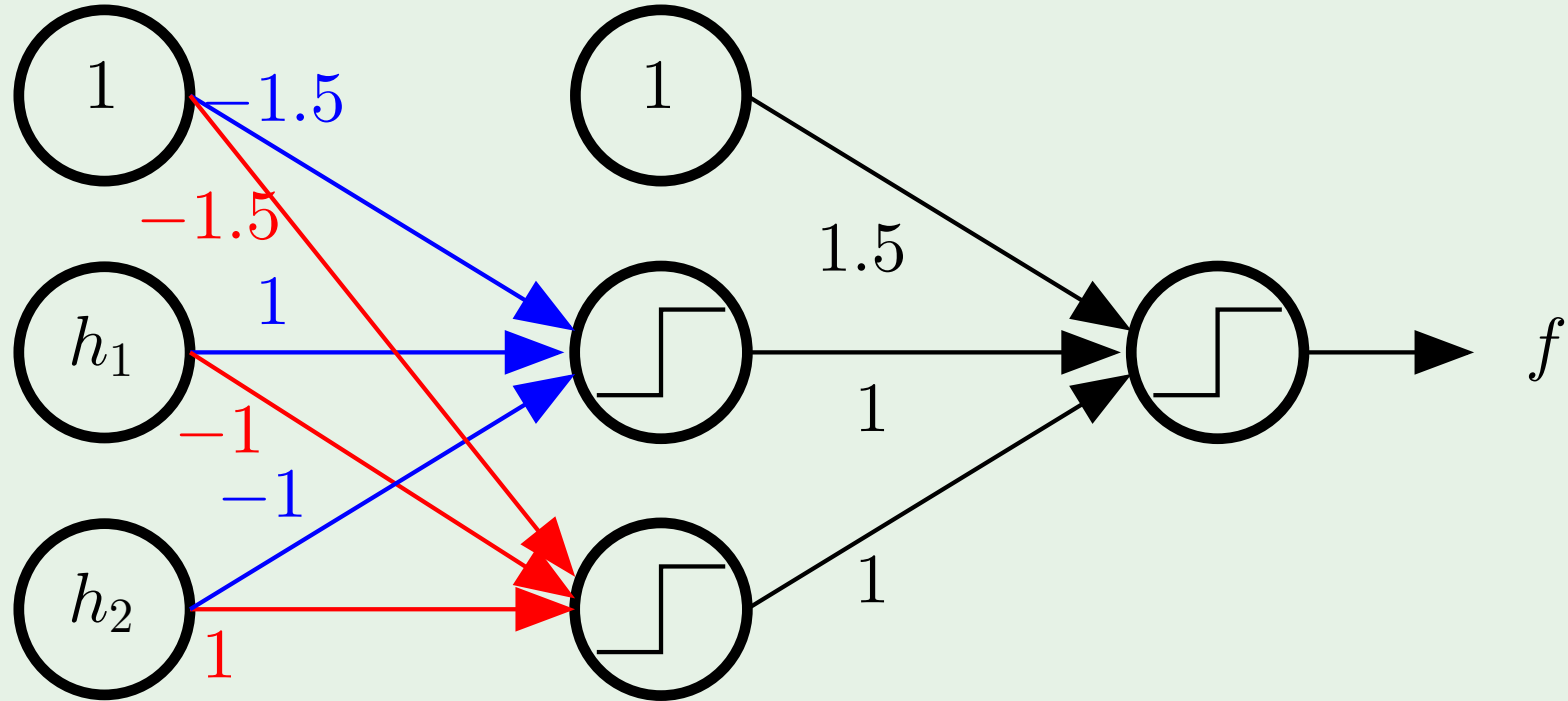
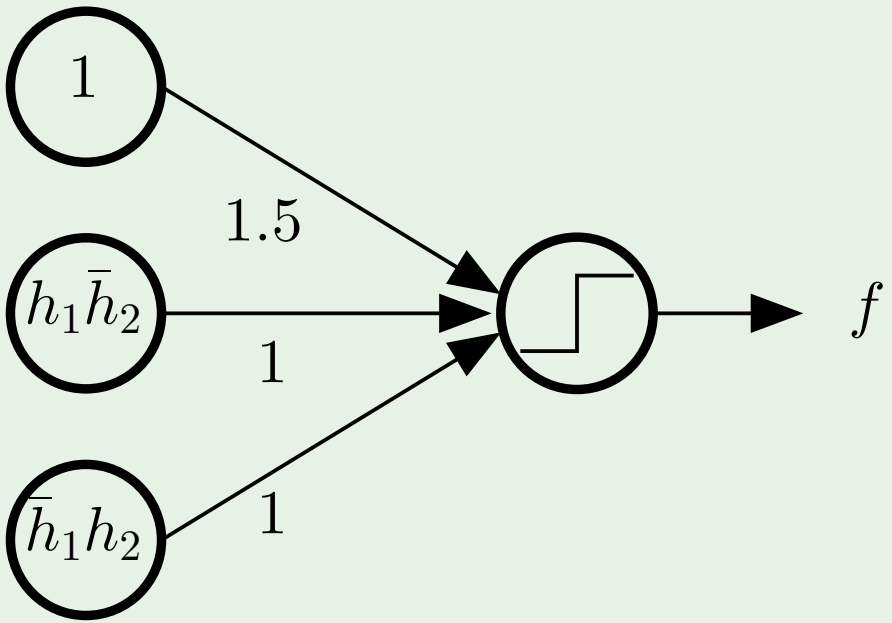


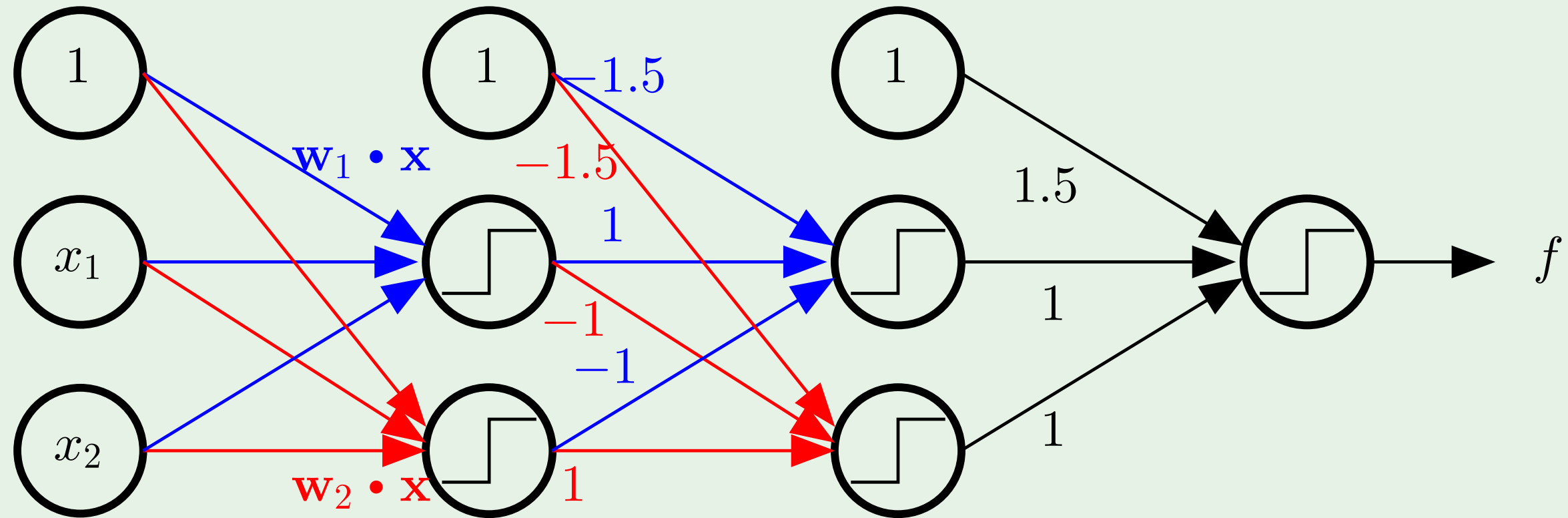
Combining perceptrons



Creating layers

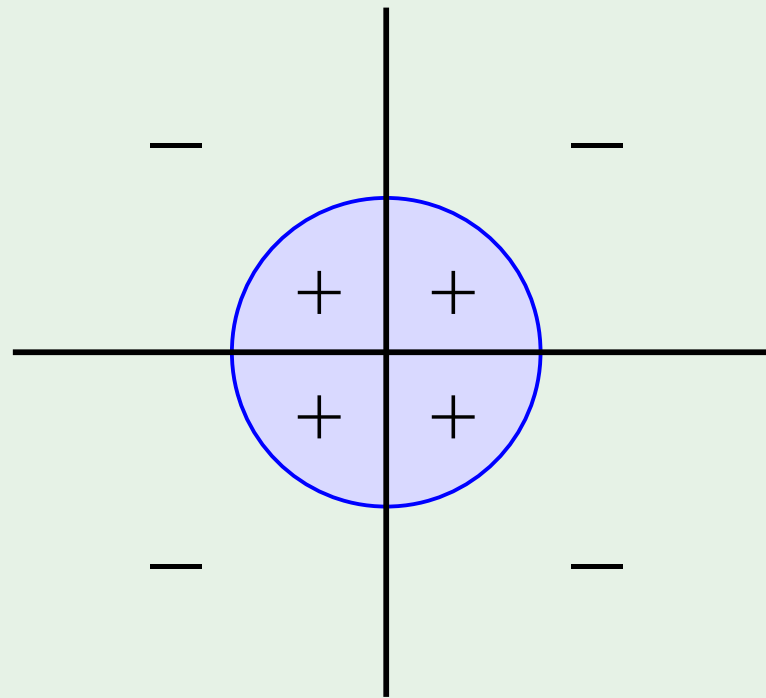


The multilayer perceptron

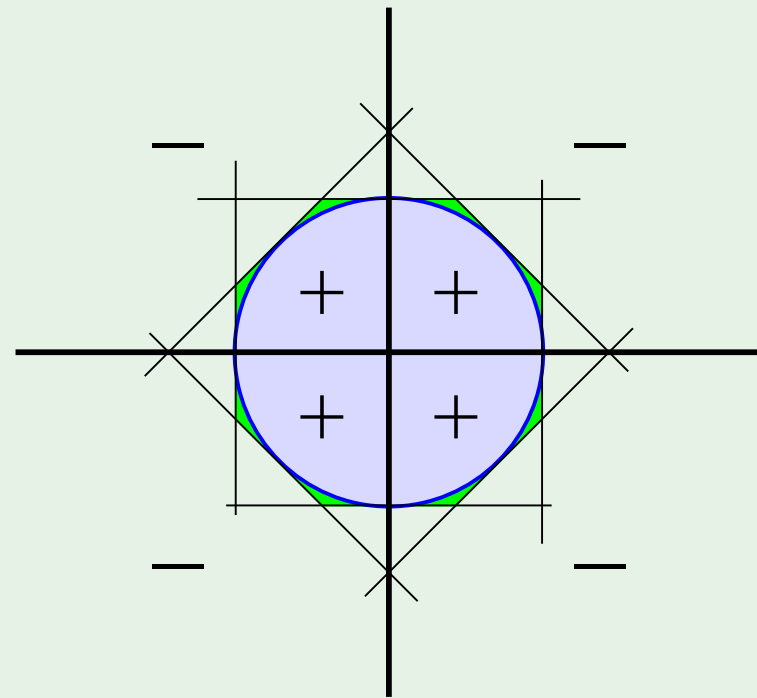


3 layers “feedforward”

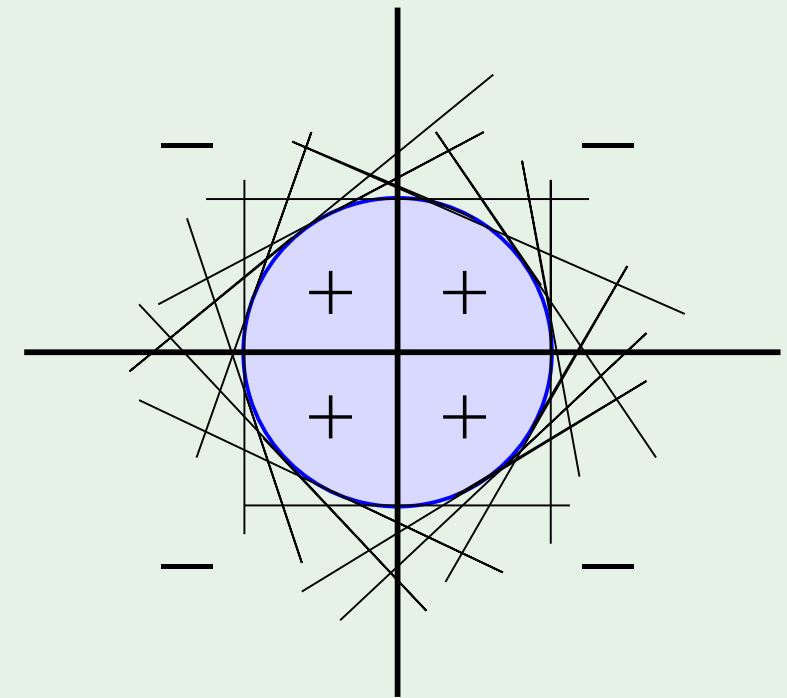
A powerful model



Target



8 perceptrons



16 perceptrons

2 red flags for **generalization** and **optimization**